

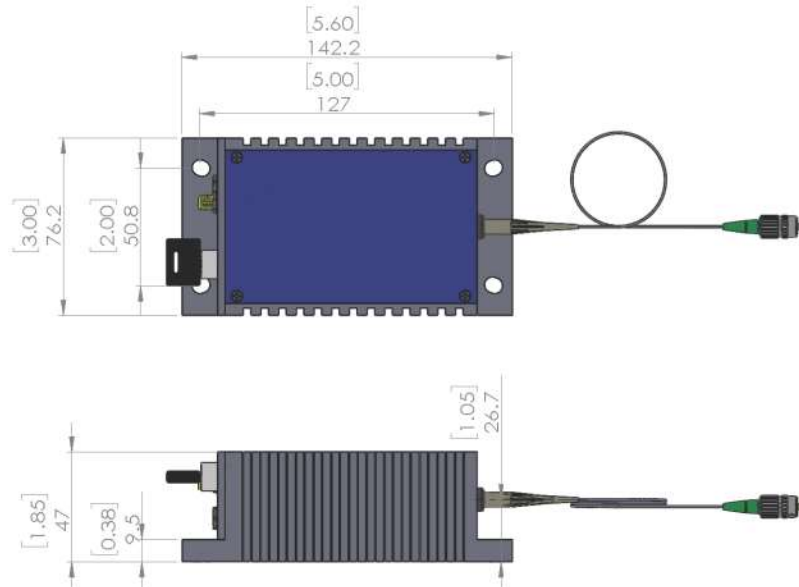
Q-Lite 1550nm, 50mW fiber-pigttailed Diode Laser System

Product Features/Operating Range	
Part Number	Q-Lite- 1550 - 50 - SM
Fiber	SMF28
Tubing	Clear Ø3mm PVDF
Connector	FC/APC
Operating Temperature	-10 to 40 °C
Storage Temperature	-10 to 80 °C
Laser Safety Class	3B
Power Supply	5.0±0.2V, 4A
RoHS	Compliant

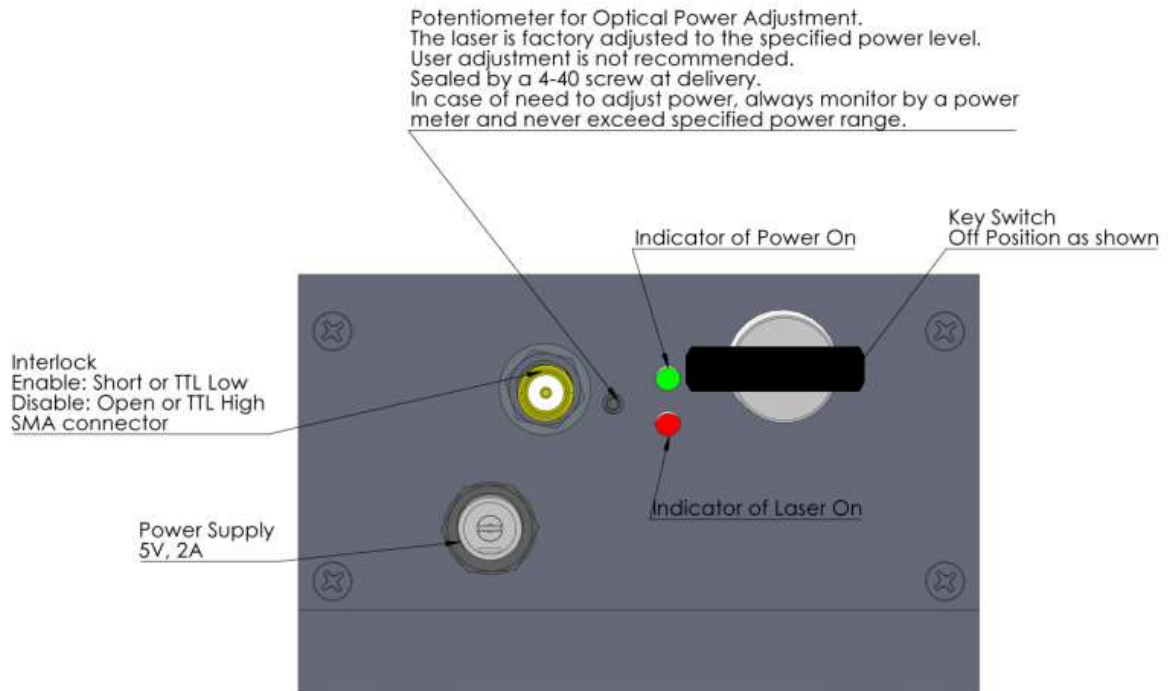
Note: other types of connector and tubing available.

Parameter	Measured Value
Optical Output Power	50 mW
Operating Current (max)	500 mA
Wavelength	1550 ± 10nm
Power Stability (8 hours)	<1%
Power Stability (1 Minute)	<0.4%
Warm-up Time	<5 Minutes

Drawing



Work Instruction



This Turnkey Module is Plug-and-Play

